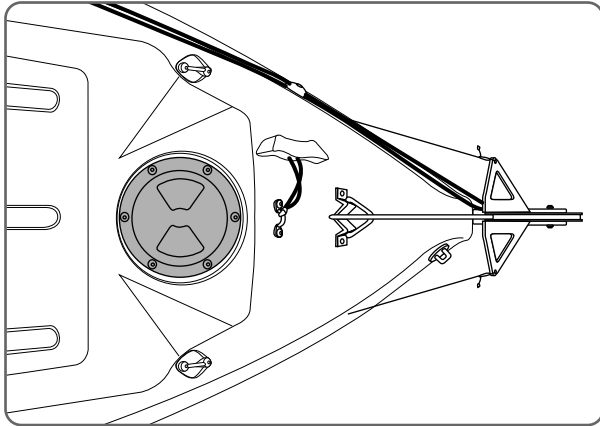
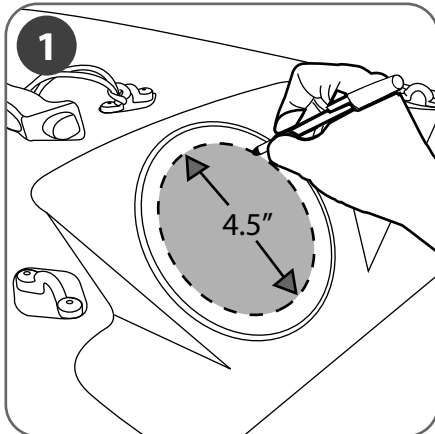
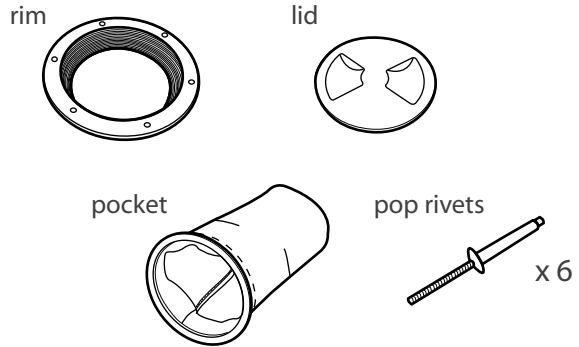


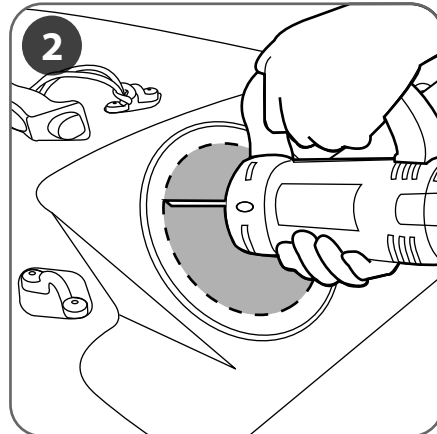
# 4" Round Hatch Installation Instruction



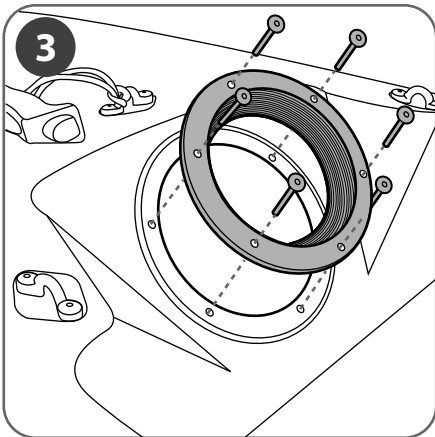
The package should include the following parts:



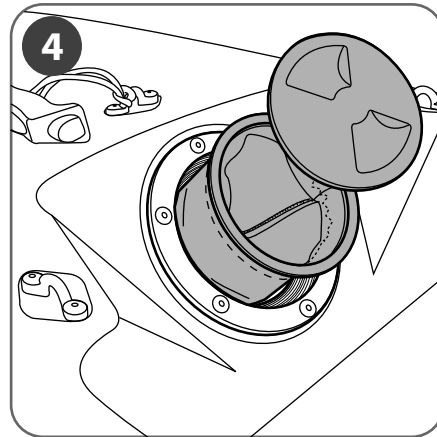
1 Draw a 4.5" diameter circle cutting line.



2 Use jigsaw or rotozip to cut a hole by following the cutting line.



3 Put the rim into the hole and connected with pop rivets.



4 Put the pocket into the rim and put the lid on. Now, the small hatch is ready for use!