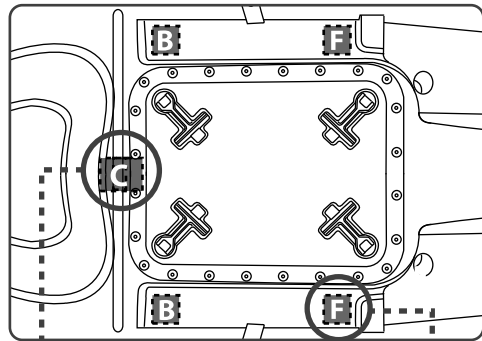
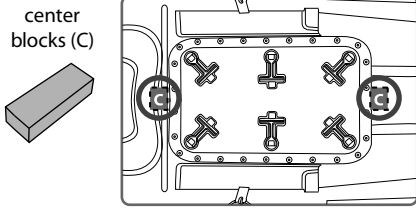
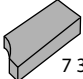
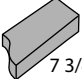
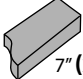
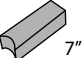
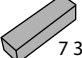
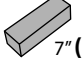
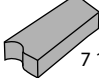
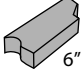
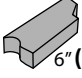
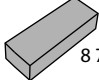
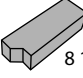
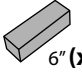
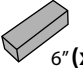
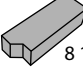
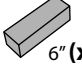
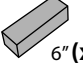
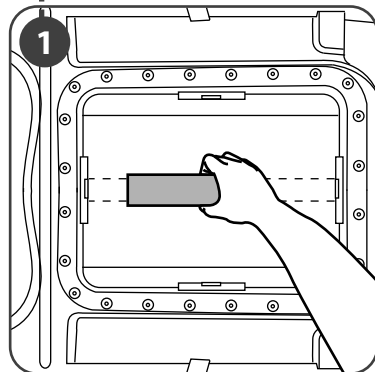


Casting Platform Installation Instruction

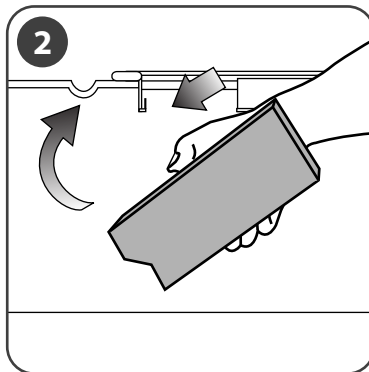
Pro2Tandam will only need 2 center blocks as shown in this picture.



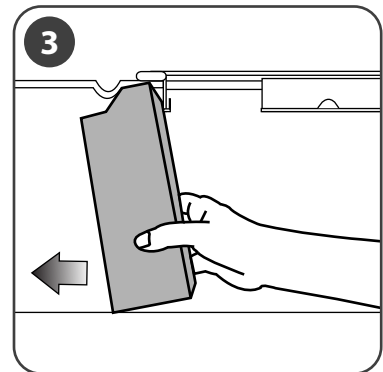
	center blocks (C)	front corner blocks (F)	back corner blocks (B)
Explorer	 7 3/8" (x1)	 7 3/4" (x2)	 7" (x2)
eXtreme	 7" (x1)	 7 3/4" (x2)	 7" (x2)
X-13	 7 1/2" (x1)	 6" (x2)	 6" (x2)
Pro2Tandam	 8 7/8" (x2)		
X-Factor	 8 1/4" (x1)	 6" (x2)	 6" (x2)
Mini-X	 8 1/4" (x1)	 6" (x2)	 6" (x2)



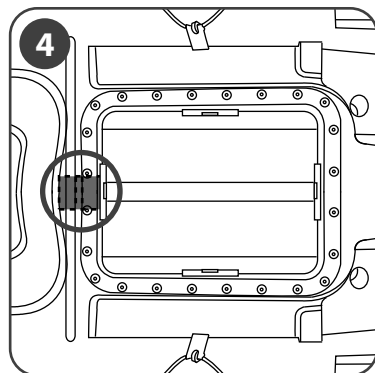
Align the center block with the center of the hull.



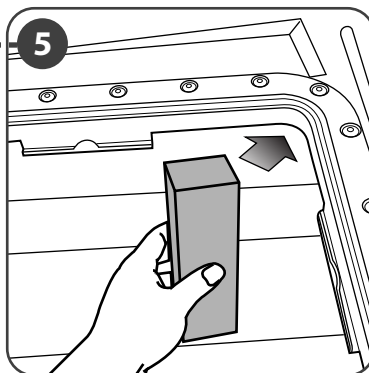
Place center block below the hatch opening at 45° angle.



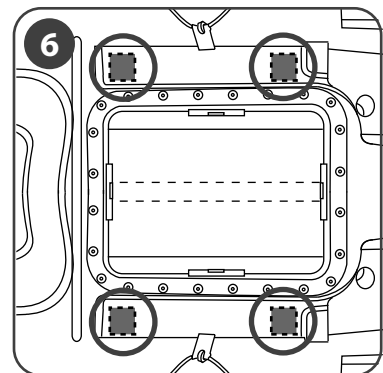
Twist around and push it straight up under the cut edge of the kayak.



The center block should be positioned as shown in this picture.



Now, put all the corner blocks underneath the hatch.



The corner blocks should be positioned as shown in this picture.