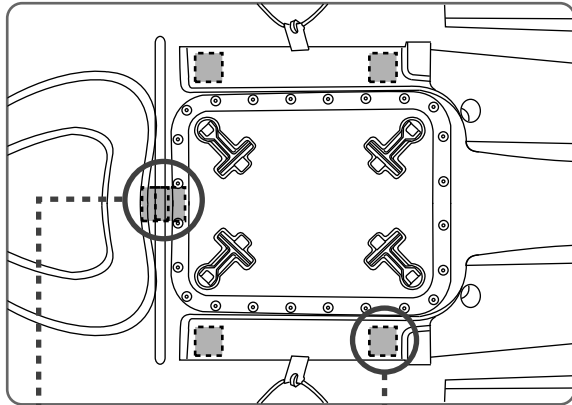


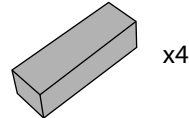
Casting Platform Installation Instruction

X-Factor

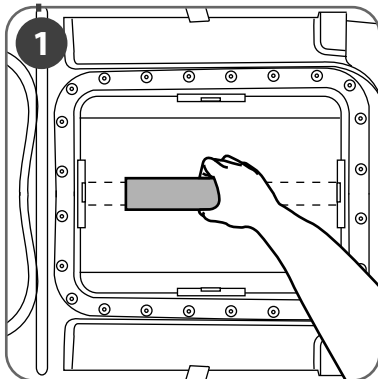
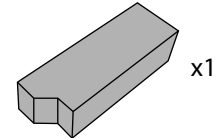


The package should include the following parts:

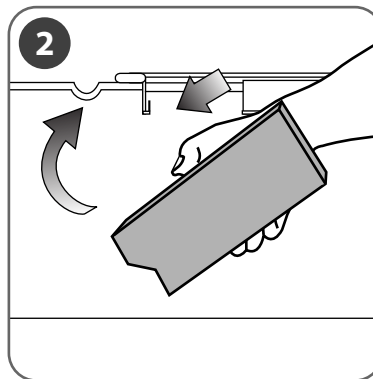
corner blocks



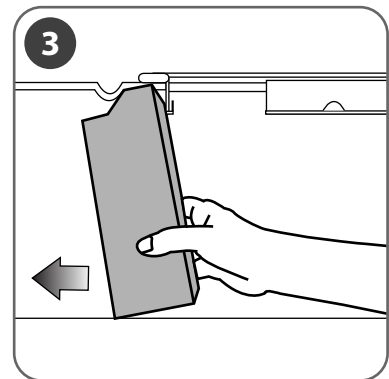
center block



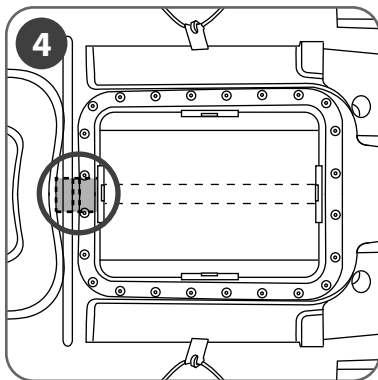
Align the center block at the center of the bottom hull.



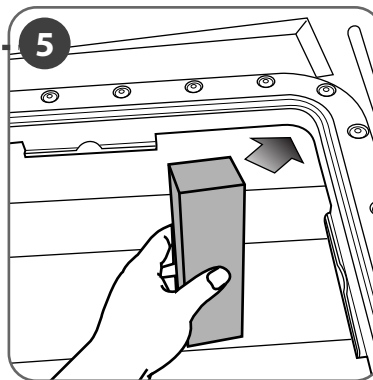
Put the center block underneath the hatch diagonally.



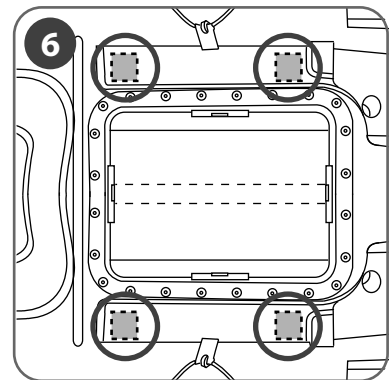
Push the bottom portion of the center block until it is straight up.



The center block should be positioned as the above picture indicated.



Now, put all the corner blocks underneath the hatch.



The corner blocks should be positioned as the above picture indicated.