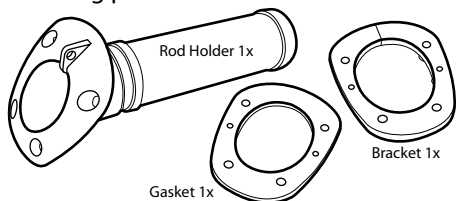


Flush-Mounted Fishing Rod Holder Installation Instruction

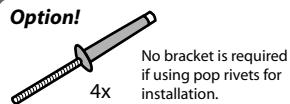
The package should include the following parts:



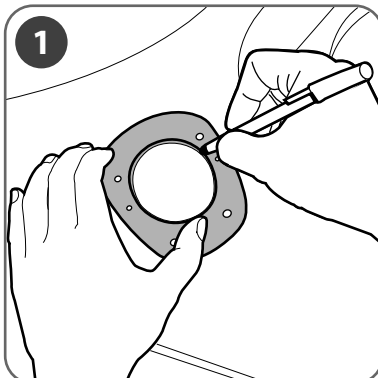
The following hardware are not included in the package, please go to your local hardware store to purchase. (stainless steel screws are strongly recommended.)



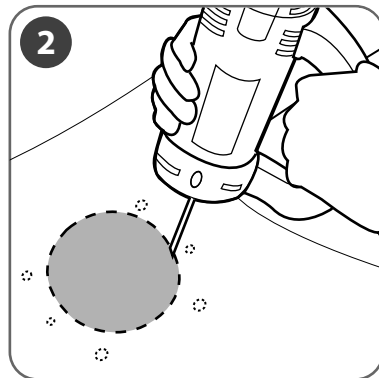
Option!



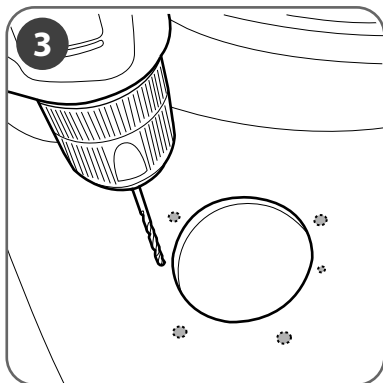
No bracket is required if using pop rivets for installation.



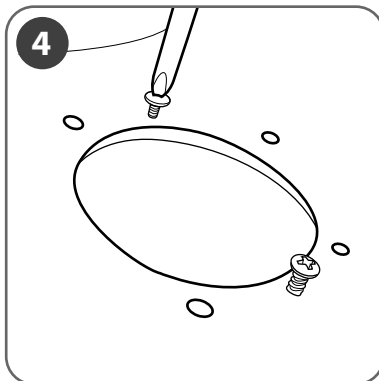
Use gasket as template if screw holes are not present on gasket. Lay gasket on the bracket, match and make the same hole pattern on the gasket.



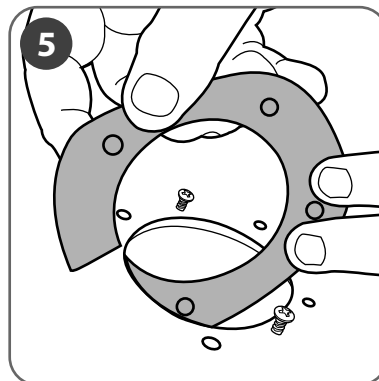
Use a Jigsaw or a Rotozip to cut the hole pattern.



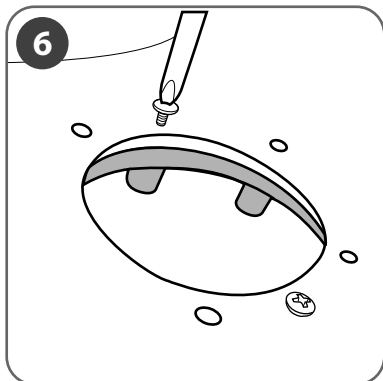
Drill the larger holes first (size 19/64"), and make sure the 2 smaller holes you use a smaller size drill bit.



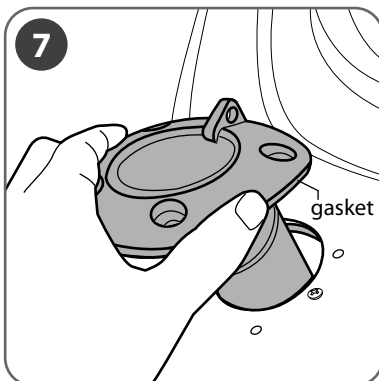
Put the small screws half way into the small screw holes.



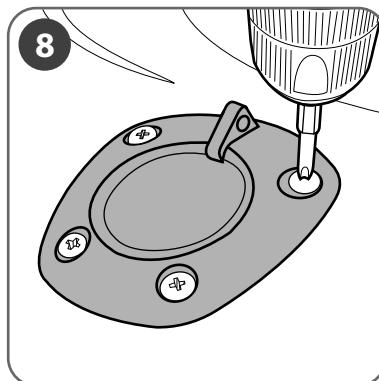
Insert the bracket in the hole as the picture illustrates.



Locate the bracket in a proper position and then tighten the bracket firmly to the surface.



Place the rod holder and gasket into position.



Tighten as shown. Installation complete!