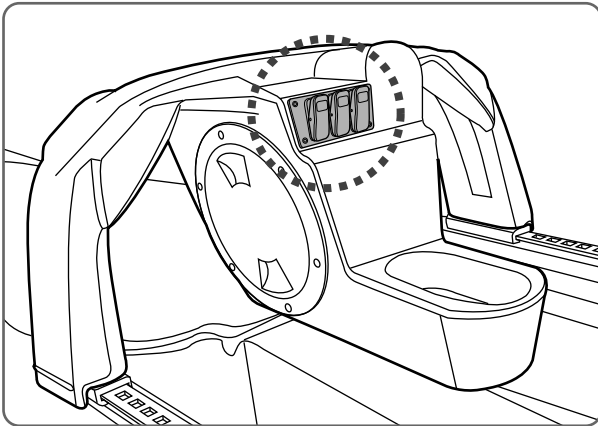
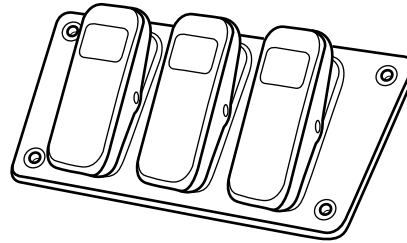


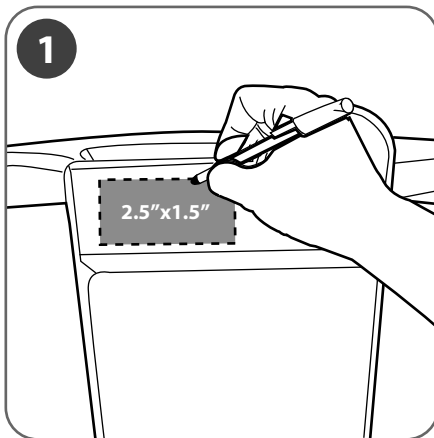
X-Wing Switch Panel Installation Instruction



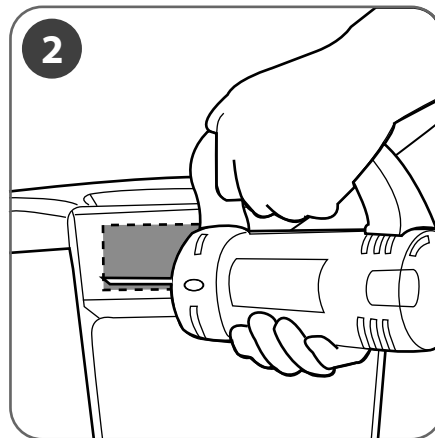
The package should include the following parts:



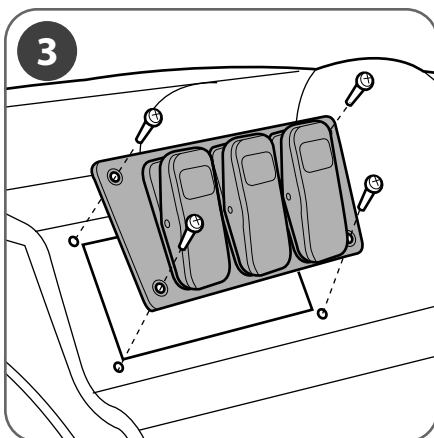
 x 4



1
Draw a 2.5" x 1.5" rectangle cutting line.



2
Use jigsaw or rotozip to cut a hole by following the cutting line.



3
Put the switch panel into the hole and connect with screws.

Attention:

Wiring your switches is a relatively easy job but due to liability reasons, we recommend hiring an electrician. Thanks for understanding!