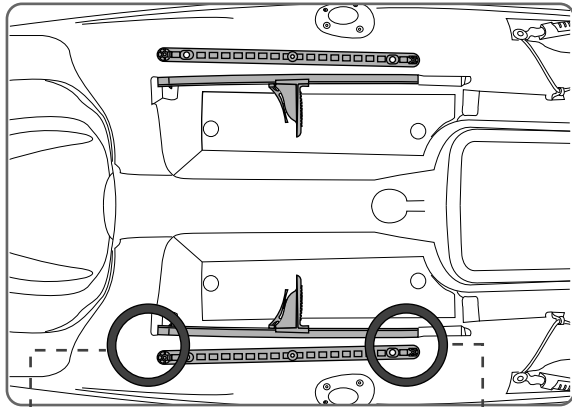
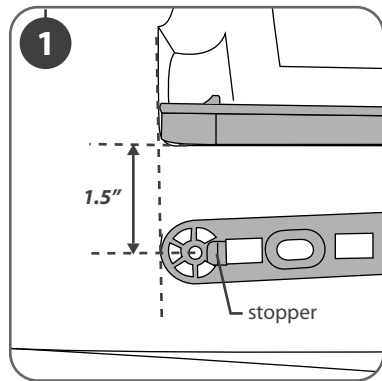
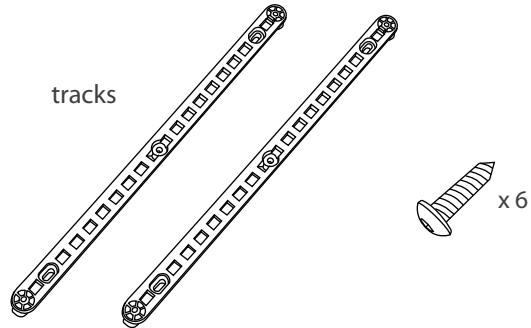


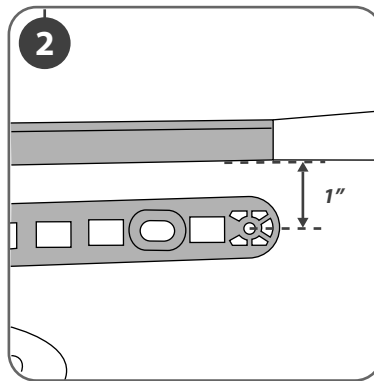
X-Wing Track Installation Instruction



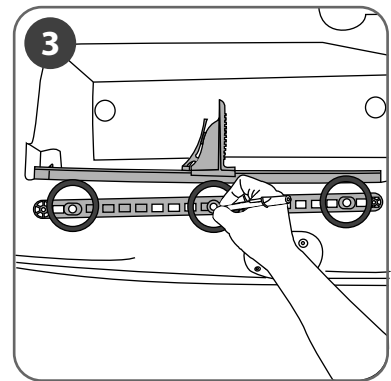
The package should include the following parts:



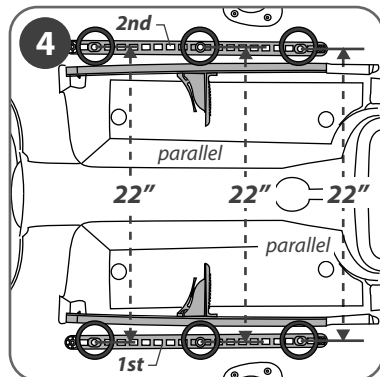
Align the stopper side of the track with the edge of the inside wall of the kayak. Measure from the center of the hole, and make sure the track is 1.5" away from the edge of the kayak.



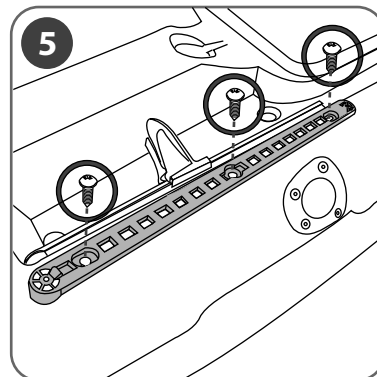
Measure from the center of the hole, make sure the other side of the track is 1" away from the edge of the kayak.



Use the track as a template and use a marker to mark the holes as indicated.



Place the 2nd track on the other side, and make sure it is parallel with the 1st track. Measuring from the center of the holes, make sure the 1st and the 2nd tracks are 22" apart. Then, repeat step 3 for the 2nd track.



Install the tracks on the kayak.