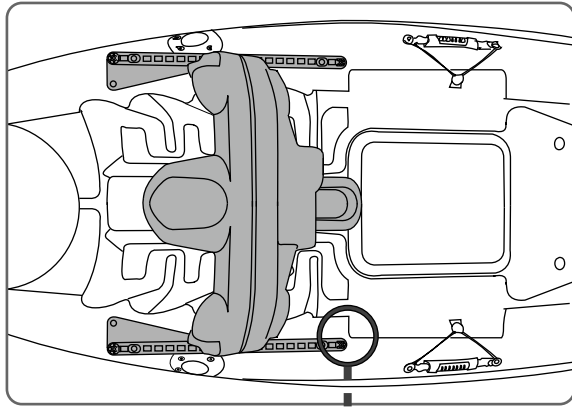
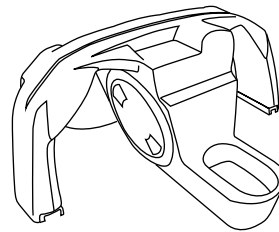


# X-Wing Installation Instruction


## Mini-X



The package should include the following parts:



X-Wing Sliding Console

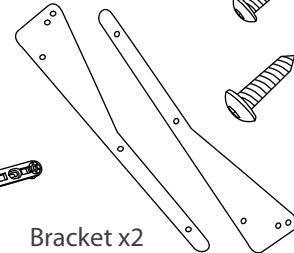
 A x2

 B x2

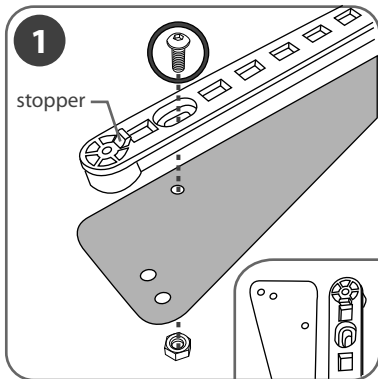
 C x6



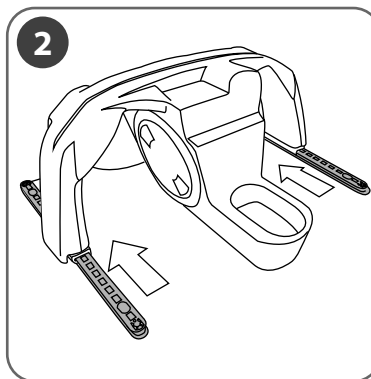
Track x2



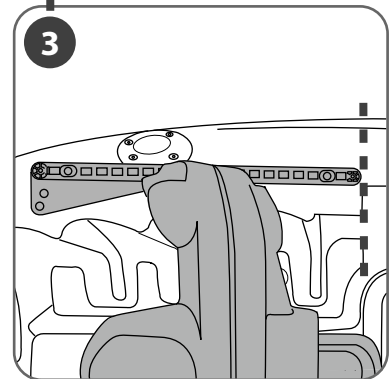
Bracket x2



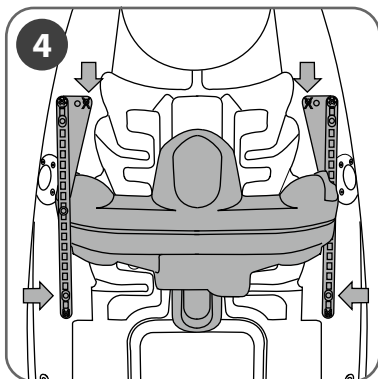
**1**  
Install tracks to brackets by tightening bolts A through nuts B as indicated in image above.



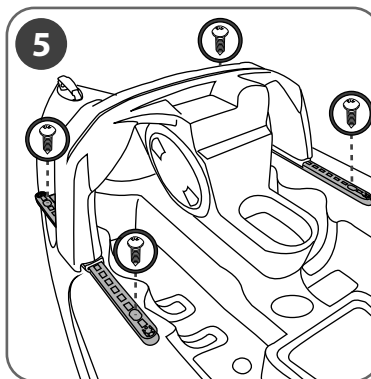
**2**  
Slide track with bracket into X-Wing grip inserts. Ensure each track slides through evenly and the wide end of each bracket points inward towards kayak.



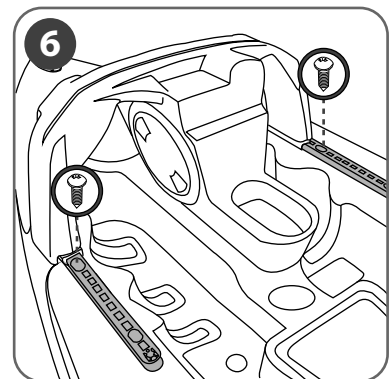
**3**  
Align X-Wing tracks onto kayak so thin end of brackets align with the edge of standing platform. Please refer to dash line as shown in image above.



**4**  
Slide X-Wing to center of tracks. Position tracks with indicated holes touching kayak surface, as shown above. Do not use holes marked with X.



**5**  
Secure each side of the X-Wing's tracks with four of screws C. For reference, see indicated holes shown in image 4.



**6**  
Slide X-Wing back towards bow until it gently reaches stoppers. This will reveal center holes on each track. Insert remaining two screws C into these holes.