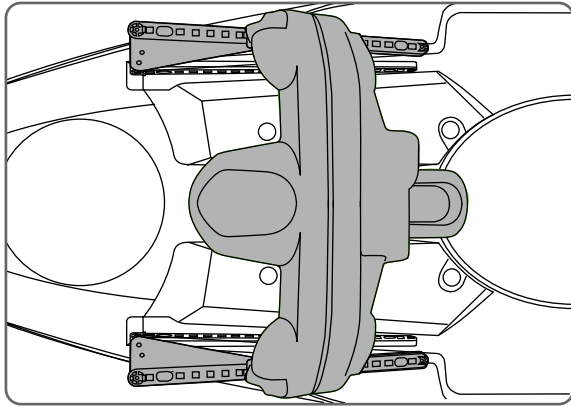
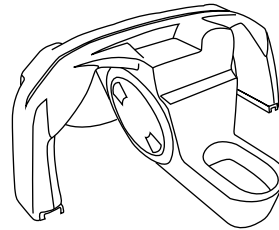


X-Wing Installation Instruction

Stealth-9



The package should include the following parts:



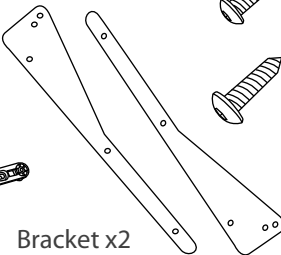
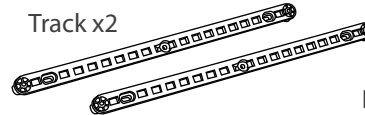
X Wing Sliding Console

 A x2

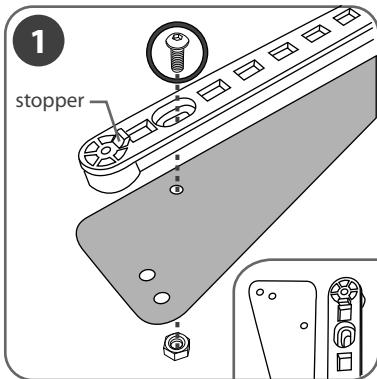
 B x2

 C x6

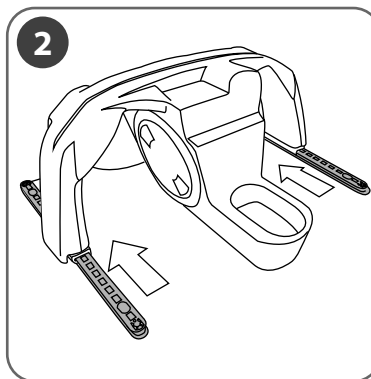
Track x2



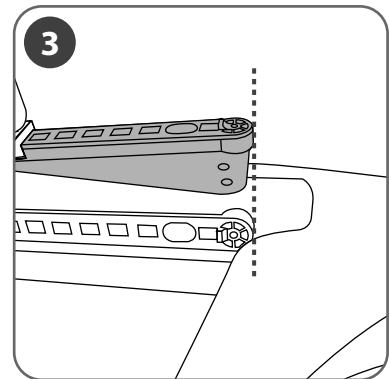
Bracket x2



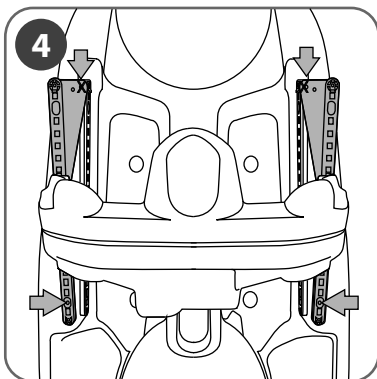
1
Install tracks to brackets by tightening bolts A through nuts B as indicated in image above.



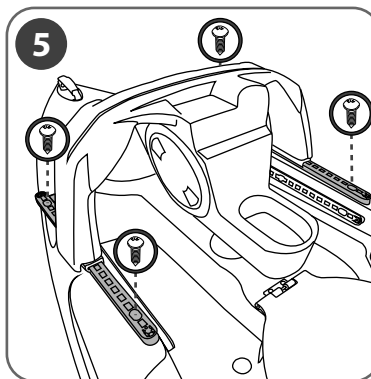
2
Slide track with bracket into X-Wing grip inserts. Ensure each track slides through evenly and the wide end of each bracket points inward towards kayak.



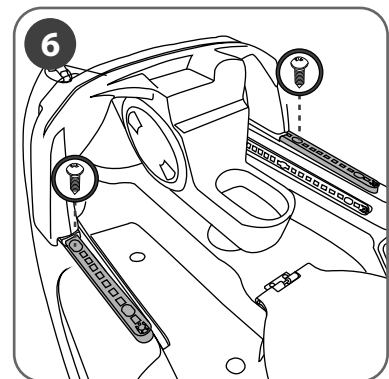
3
Align X-Wing tracks onto kayak evenly so tracks match adjustable foot track system. Stoppers must be on end closest to bow.



4
Slide X-Wing to center of tracks. Position tracks with indicated holes touching kayak surface, as shown above.



5
Secure each side of the X-Wing's tracks with four of screws C. For reference, see indicated holes shown in image 4.



6
Slide X-Wing back towards bow until it gently reaches stoppers. This will reveal center holes on each track. Insert remaining two screws C into these holes.